

Portable Type Paperless Recorder

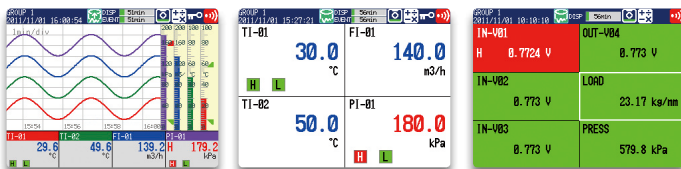
FW1000

SD Memory Card Support

Provides various types of measurements with abundant features and easy operation without sacrificing high quality.

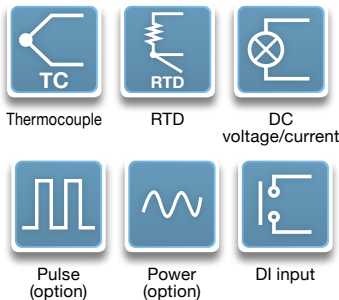
Intuitive display, easy operation

- 5.7-inch, high-precision, wideviewing-angle color TFT LCD
- Many types of displays such as trend, digital, bar graph, overview, and historical trend
- Multi-functional panel keys



Comprehensive selection of measurement types, and exceptional performance

- Scan interval: 1 s, 125 ms (fast sampling)
- Channels: 2, 4, 6, 12
- Measurement accuracy: $\pm 0.05\%$ of reading (DCV), $\pm 0.15\%$ of reading (TC, RTD)

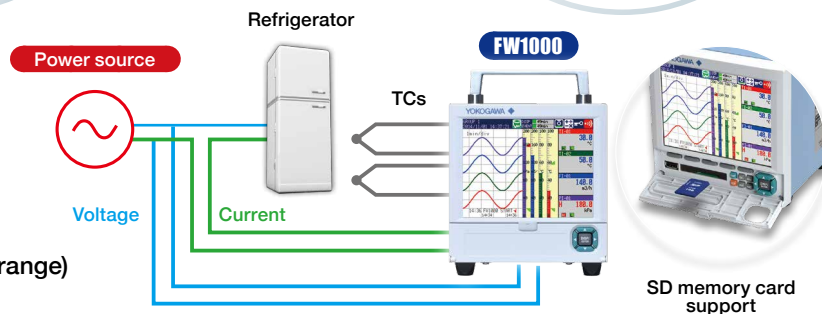


Reliable data storage

- Large (400 MB) internal memory
- SD cards up to 32 GB
- External storage medium slot suffix code: -7) or CF cards up to 32 GB (External storage medium slot suffix code: -4)
- USB interface (/USB1 option)

Support for a variety of applications

- Power measurement recording (/PWR5 option) (Rated current: 5A, Measurement accuracy: $\pm 0.5\%$ of range)
- Vacuum pressure recording (Log scale, /LG1 option)
- F value calculation (/M1 option)



Bulletin 04L24B01-01EN

WWW.yokogawa.com/ns/

vigilantplant.[®]
The clear path to operational excellence

YOKOGAWA ◆



FW1000

Model and Suffix Code

Model code	Suffix code	Optional code	Description
FW1002			2ch, Shortest measurement interval: 125ms
FW1004			4ch, Shortest measurement interval: 125ms
FW1006			6ch, Shortest measurement interval: 1s
FW1012			12ch, Shortest measurement interval: 1s
External storage medium slot	-0		Without CF/SD card slot and medium (Note)
	-4		With CF card slot and medium (512MB)
	-7		With SD card slot and medium (1GB)
Language	-2		English/Japanese/German/French/Chinese/Italian/Spanish/Portuguese/Russian/Korean deg F and DST
Withstanding voltage between measuring input terminals	-H		1000 VAC(50/60 Hz), 1 min
	-L		400 VAC(50/60 Hz), 1 min
Power cord	-D		Power cord UL/CSA standard
	-F		Power cord VDE standard
	-H		Power cord GB standard
	-N		Power cord NBR standard
	-Q		Power cord BS standard
	-R		Power cord AS standard
Options	/C2		RS-232 interface
	/C7		Ethernet interface
	/F1		FAIL/Status output
	/M1		Mathematical functions (including Report functions)
	/N2		3 leg isolated RTD*1
	/N3F		Extended input type (without Pt1000)
	/R1		Remote control 8 points*2
	/USB1		USB interface (1 port)
	/PM1		Pulse input 3 points, Remote control 5 points (including Mathematical functions)*3
	/CC1		Calibration correction function
/LG1		Log scale	
/PWR5		Power monitor (including Mathematical functions)*4	

Note: To load data, the FW must be equipped with a communication interface (/C2 or /C7 option) or the USB interface (/USB1 option).
 *1 /N2 cannot be specified for FW1002 or FW1004.
 *2 If /R1 is specified, /PM1, or /PWR5 cannot be specified.
 *3 If /PM1 is specified, /M1, /R1, or /PWR5 cannot be specified.
 *4 If /PWR5 is specified, /F1, /R1, /PM1, or /M1 cannot be specified.

Precaution on purchasing the Log scale (Optional code, /LG1)

To support the nonlinear output of vacuum gauges, the FW must be required with the Log scale (/LG1) and the calibration correction function (/CC1).

Standard Accessories

FW1000 User's Manual Safety Precautions and Installation Guide (1), Regarding the Downloading and Installing for the Software and Manuals (1), CF card (512MB; On FWs that have a CF card slot (suffix code -4.) SD card (1GB; On FWs that have a SD card slot (suffix code -7.) CF/SD card capacity is subject to change.

- vigilantplant is registered trademarks of Yokogawa Electric Corporation.
- Microsoft and Windows are registered trademarks or trademarks of Microsoft Corporation in the United States and/or other countries.
- Adobe and Acrobat are registered trademarks or trademarks of Adobe Systems Incorporated.
- Company and product names that appear in this manual are registered trademarks or trademarks of their respective holders.
- The company and product names used in this manual are not accompanied by the registered trademark or trademark symbols (® and ™).

Accessories (Sold Separately)

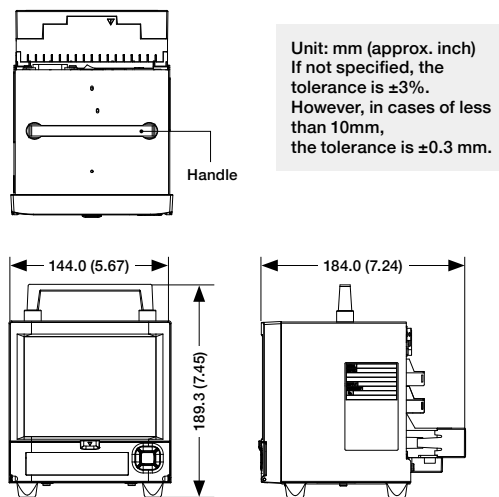
Name	Model	Notes
Shunt resistor	X010-250-3	250 Ω ± 0.1%
	X010-100-3	100 Ω ± 0.1%
	X010-010-3	10 Ω ± 0.1%
CF card adapter	772090	-
CF card	772093	512 MB
	772094	1 GB
	772095	2 GB
SD card	773001	1 GB
Terminal screws	B8730CZ	M3 (spares for I/O terminals)

Application Software


Model code	Description	Operating System
FXA120	DAQSTANDARD software	Windows Vista, 7, 8, 8.1

* DAQSTANDARD software (R9.02.01 or earlier) does not support the pseudo log and nonlinear log settings of the FW1000.

External Dimensions



NOTICE

 Before operating the product, read the user's manual thoroughly for proper and safe operation.

vigilantplant.®

The clear path to operational excellence

SEE CLEARLY **KNOW IN ADVANCE** **ACT WITH AGILITY**

VigilantPlant is Yokogawa's automation concept for safe, reliable, and profitable plant operations. VigilantPlant aims to enable an ongoing state of Operational Excellence where plant personnel are watchful and attentive, well-informed, and ready to take actions that optimize plant and business performance.

YOKOGAWA ELECTRIC CORPORATION
 (81)-422-52-7179, Fax: (81)-422-52-6973
 E-mail: ns@cs.jp.yokogawa.com
YOKOGAWA CORPORATION OF AMERICA
YOKOGAWA EUROPE B.V.
YOKOGAWA ENGINEERING ASIA PTE. LTD.

Phone: 800-258-2552, Fax: (1)-770-254-0928
 Phone: (31)-88-4641000, Fax: (31)-88-4641111
 Phone: (65)-62419933, Fax: (65)-62412606

Sign up for our free e-mail newsletter
www.yokogawa.com/ns/

Vig-RS-6E

Printed in Japan, 509(AZ) [Ed: 02/b]