

**Part number:**

**63901-0101**

**Copyright**

© 2013, FLIR Systems, Inc.

All rights reserved worldwide. Names and marks appearing herein are either registered trademarks or trademarks of FLIR Systems and/or its subsidiaries. All other trademarks, trade names or company names referenced herein are used for identification only and are the property of their respective owners.

October 17, 2013, 06:03 AM

**Corporate Headquarters**

FLIR Systems, Inc.  
27700 SW Parkway Ave.  
Wilsonville, OR 97070  
USA  
Telephone: +1-503-498-3547

**Website**

<http://www.flir.com>

**Customer support**

<http://support.flir.com>

**Legal disclaimer**

Specifications subject to change without further notice. Camera models and accessories subject to regional market considerations. License procedures may apply.

Information and equipment described herein may require US Government authorization for export purposes. Diversion contrary to US law is prohibited.



**Imaging and optical data**

IR resolution	80 × 60 pixels
MSX resolution	320 × 240 pixels
Thermal sensitivity/NETD	<0.15°C (0.27°F) / <150 mK
Field of view (FOV)	45° × 34°
Minimum focus distance	0.5 m (1.6 ft.)
Spatial resolution (IFOV)	10.3 mrad
Image frequency	9 Hz
Focus	Focus free

**Detector data**

Detector type	Focal plane array (FPA), uncooled microbolometer
Spectral range	7.5–13 μm

**Image presentation**

Display	3.0 in. 320 x 240 color LCD
Image adjustment	Automatic adjust/lock image

**Image presentation modes**

Image modes	IR image, visual image, MSX, thumbnail gallery
Multi Spectral Dynamic Imaging (MSX)	IR image with enhanced detail presentation

**Measurement**

Object temperature range	-20°C to +250°C (-4°F to +482°F)
Accuracy	±2°C (±3.6°F) or ±2% of reading, for ambient temperature 10°C to 35°C (+50°F to 95°F) and object temperature above +0°C (+32°F)

**Measurement analysis**

Spotmeter	Center spot
Emissivity correction	Variable from 0.1 to 1.0
Emissivity table	Emissivity table of predefined materials
Reflected apparent temperature correction	Automatic, based on input of reflected temperature

**Set-up**

Color palettes	Black and white, iron and rainbow
Set-up commands	Local adaptation of units, language, date and time formats

P/N: 63901-0101

© 2013, FLIR Systems, Inc.  
All rights reserved worldwide.

## Storage of images

Image storage capacity	Internal memory store at least 500 sets of images
Image storage mode	Simultaneous storage of images in IR, visual and MSX
File formats	Standard JPEG, 14-bit measurement data included

## Data communication interfaces

Interfaces	USB Micro: Data transfer to and from PC and Mac device
------------	--

## Power system

Battery type	Rechargeable Li Ion battery
Battery voltage	3.7 V
Battery operating time	Approx. 4 hours at +25°C (+77°F) ambient temperature and typical use
Charging system	Battery is charged inside the camera or in specific charger.
Charging time	2.5 hours to 90% capacity in camera. 2 hours in charger.
Power management	Automatic shut-down
AC operation	AC adapter, 90–260 VAC input, 5 VDC output to camera

## Environmental data

Operating temperature range	–15°C to +50°C (+5°F to +122°F)
Storage temperature range	–40°C to +70°C (–40°F to +158°F)
Humidity (operating and storage)	IEC 60068-2-30/24 h 95% relative humidity
EMC	<ul style="list-style-type: none"> <li>• WEEE 2012/19/EC</li> <li>• RoHs 2011/65/EC</li> <li>• C-Tick</li> <li>• EN 61000-6-3</li> <li>• EN 61000-6-2</li> <li>• FCC 47 CFR Part 15 Class B</li> </ul>
Encapsulation	IP 54 (IEC 60529)
Bump	25 g (IEC 60068-2-29)
Vibration	2 g (IEC 60068-2-6)
Drop	2 m (6.6 ft.)

## Physical data

Camera weight, incl. battery	0.575 kg (1.27 lb.)
Camera size (L × W × H)	244 × 95 × 140 mm (9.6 × 3.7 × 5.5 in.)
Color	Black and gray

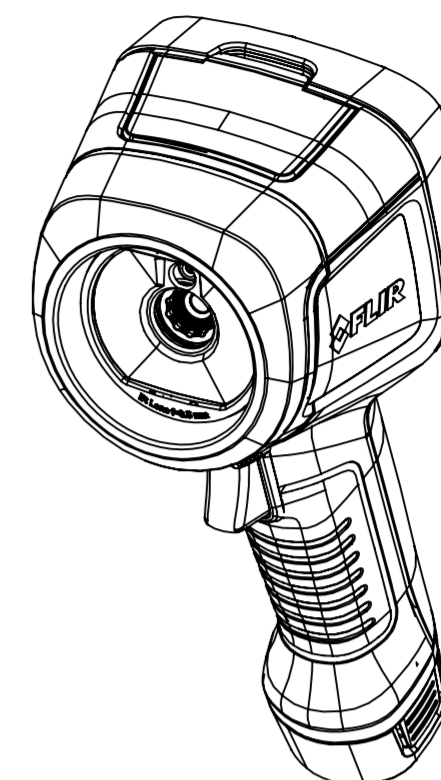
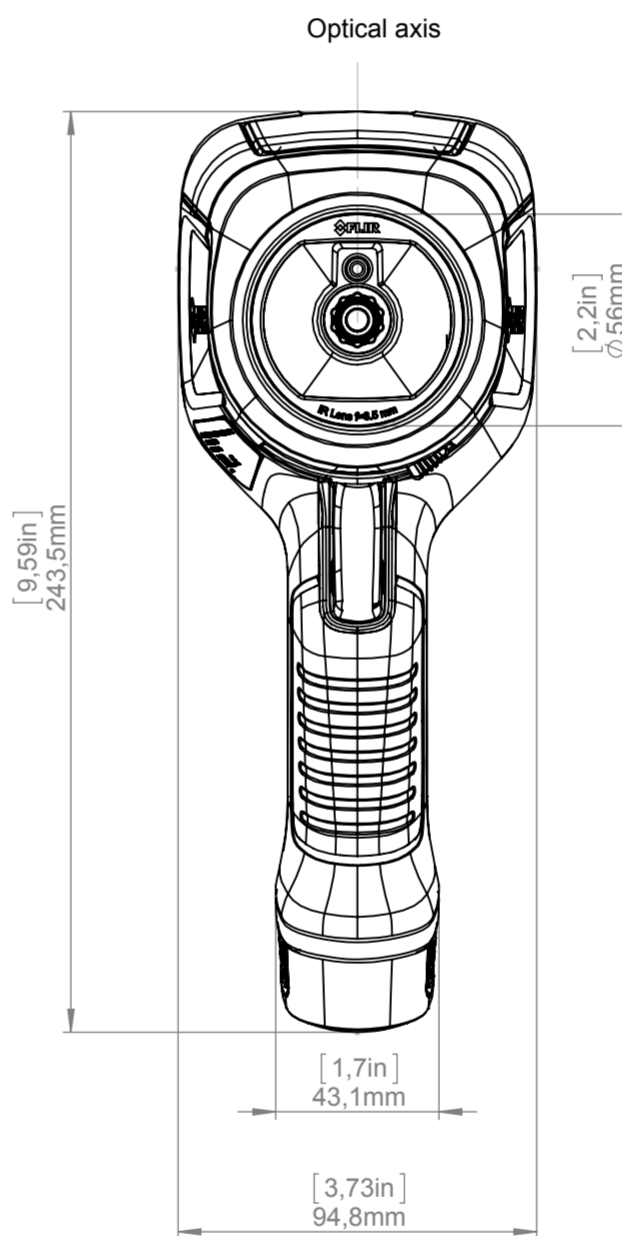
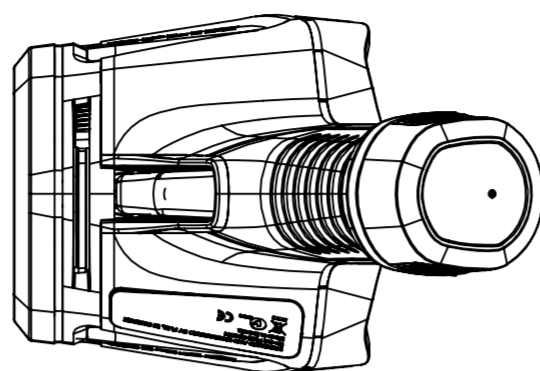
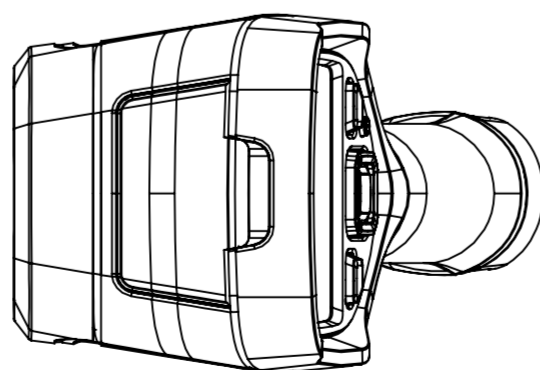
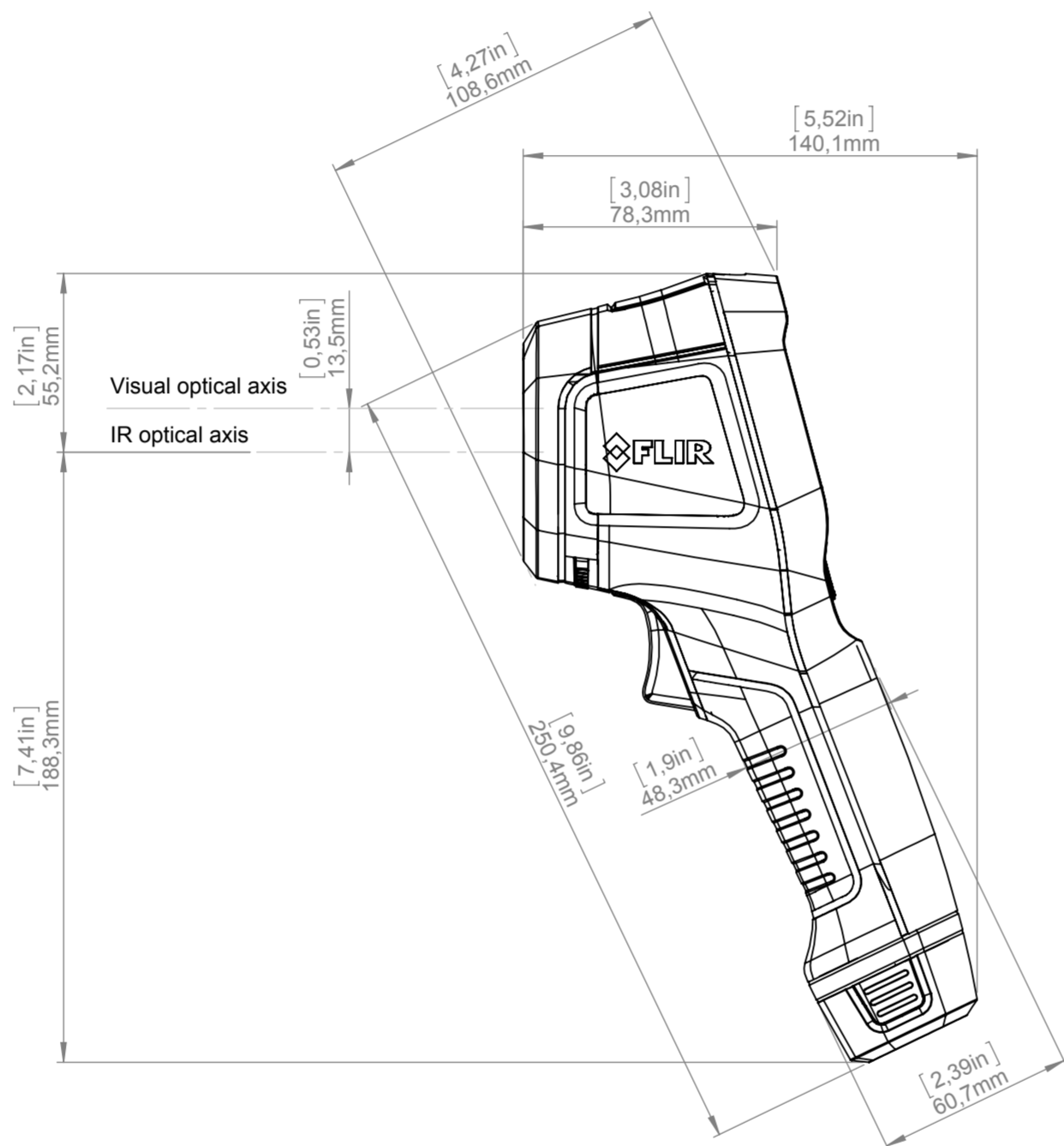
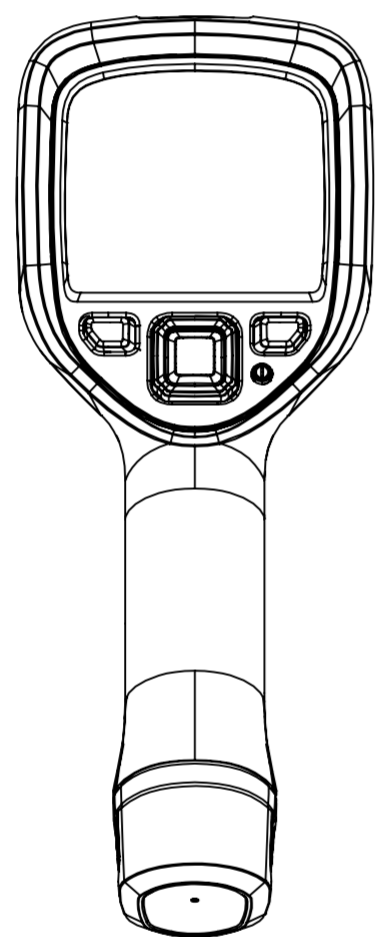
## Certifications

Certification	UL, CSA, CE, PSE and CCC
---------------	--------------------------

## Shipping information

Packaging, type	Hard case
<ul style="list-style-type: none"> <li>• Infrared camera</li> <li>• Hard transport case</li> <li>• Battery (inside camera)</li> <li>• USB cable</li> <li>• Power supply/charger with EU, UK, US and Australian plugs</li> <li>• User documentation CD-ROM</li> <li>• Printed documentation</li> <li>• FLIR Tools download card</li> </ul>	
Packaging, weight	2.7 kg (5.95 lb.)
Packaging, size	303 × 206 × 128 mm (11.9 × 8.1 × 5.0 in.)
EAN-13	4743254000995
UPC-12	845188004941
Country of origin	Estonia

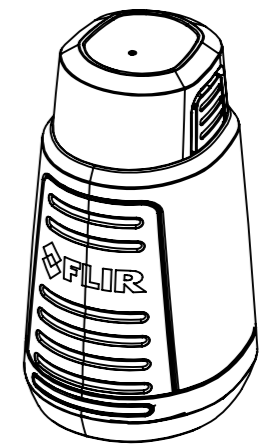
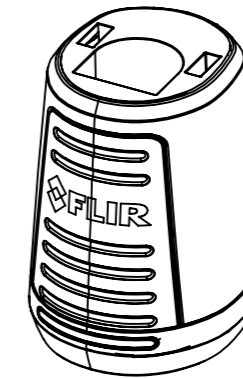
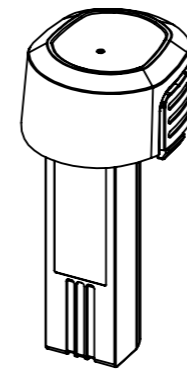
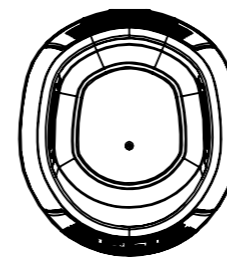
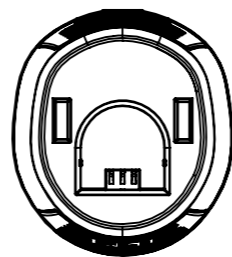
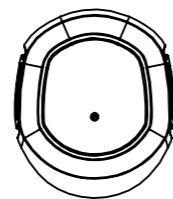
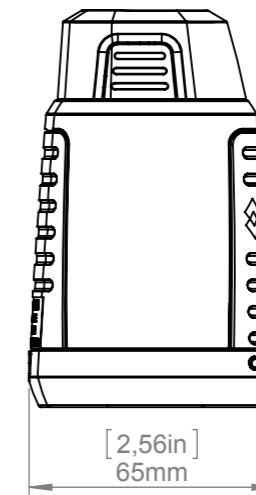
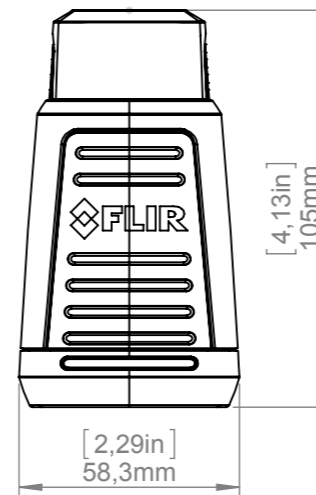
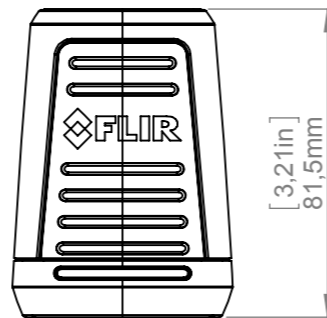
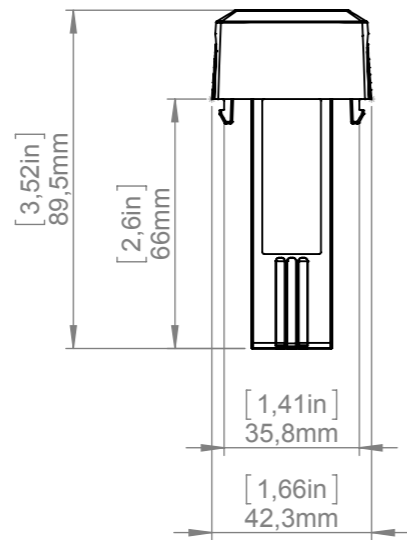
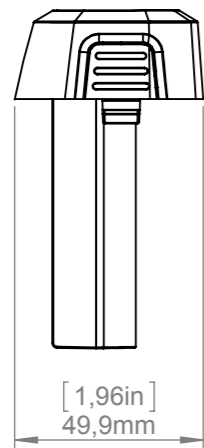
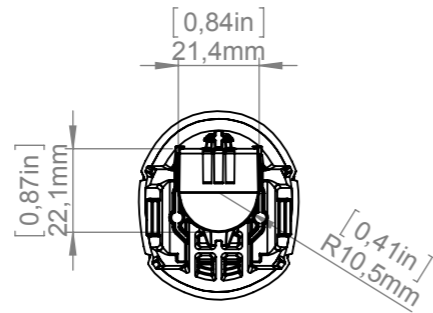
# Camera with built-in IR lens f=6,5 mm (45°)



© 2012, FLIR Systems, Inc. All rights reserved worldwide. No part of this drawing may be reproduced, stored in a retrieval system, or transmitted in any form, or by any means, electronic, mechanical, photocopying, recording, or otherwise, without the prior written permission of FLIR Systems, Inc. Specifications subject to change without notice. Dimensions are based on nominal values. Products may be subject to regional market considerations. License procedures may apply. Product may be subject to US Export Regulations. Please refer to exportquestions@flir.com with any questions. Diversion contrary to US law is prohibited.

Modified 2013-03-25	Check CAHA	Drawn by R&D Thermography	
Denomination			
Basic dimensions FLIR Ex			Size A2 Scale 1:2 Sheet 1(2)
Drawing No. T127831			Size A

# Charger and Power pack



Modified 2013-03-25	Check CAHA	Drawn by R&D Thermography	
Denomination			
Basic dimensions FLIR Ex			Drawing No. T127831 Size A

© 2012 FLIR Systems, Inc. All rights reserved worldwide. No part of this drawing may be reproduced, stored in a retrieval system, or transmitted in any form, or by any means, electronic, mechanical, photocopying, recording, or otherwise without written permission from FLIR Systems, Inc. Specifications subject to change without further notice. Dimensional data is based on nominal values. Products may be subject to regional market considerations. License procedures may apply. Product may be subject to US Export Regulations. Please refer to exportquestions@flir.com with any questions. Diversion contrary to US law is prohibited.